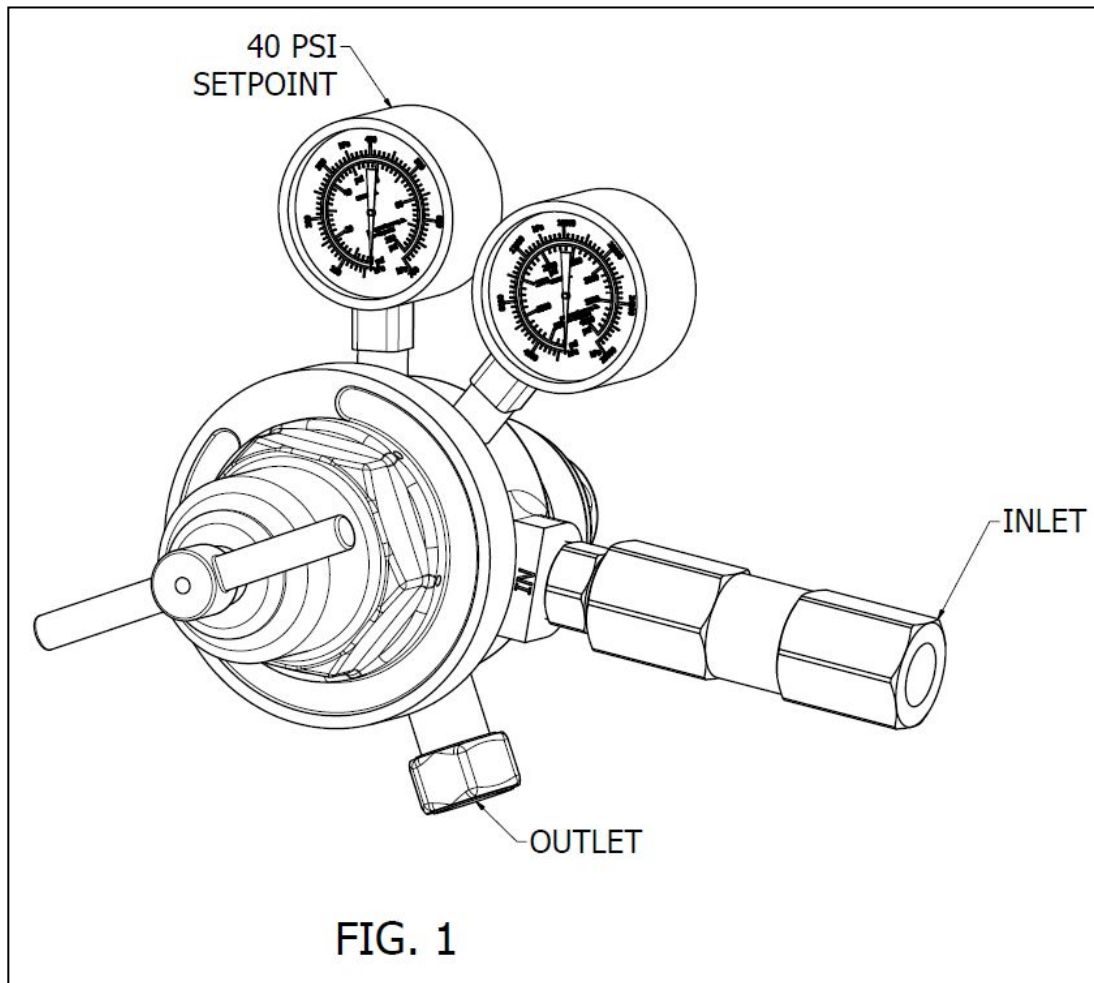


**AIR DRIVEN TEMPERED WATER SYSTEM  
(REGULATOR) RETROFIT KIT****PARTS LIST**

- 1 – Pressure Regulator Kit
- 1 – Filter, inline, 50 micron
- 1 – nipple, ¼"

**INSTALLATION INSTRUCTIONS**

1. Disconnect the power to the unit
2. Close both the air valves at the pressurized tanks.
3. Close the air-supply hand valve down-stream of the regulator.
4. Bleed out the remaining air by 'cracking' or un-screwing the union at the regulator outlet connection until all air is purged from the line.
5. Un-screw the inlet and outlet connections of the regulator; remove & keep regulator to ship back.
6. Clean all PTFE tape fragments from hose and pipe at the system.
7. Remove protective tape from the inlet and outlet of the replacement regulator.
8. Apply 1.5 to 2 turns of PTFE tape to threads of hose and pipe. NOTE: Start PTFE tape 1-2 threads back from edge, careful not to introduce tape fragments into ports.
9. Re-connect inlet and outlet connections, torque securely with wrench.
10. Turn the regulator adjusting screw counterclockwise until there is no pressure on the adjusting spring and the screw turns freely, (if the screw comes out, simply put in back in but be careful not to introduce debris into the port.)
11. Slowly and carefully open the cylinder valves until the maximum pressure shows on the high pressure gauge.
12. Turn the regulator adjusting screw clockwise until the low pressure gauge reads **40 PSI**.
13. Open the Air-supply hand valve. Re-connect power to the unit.



## PROPOSITION 65

WARNING: This product can expose you to BPA, which is known to the State of California to cause birth defects or other reproductive harm. For more information go to [www.P65Warnings.ca.gov](http://www.P65Warnings.ca.gov).

## WARRANTY STATEMENT

ENCON HEREBY DISCLAIMS ALL WARRANTIES EXPRESSED OR IMPLIED INCLUDING BUT NOT LIMITED TO WARRANTIES OF MERCHANTABILITY, FITNESS FOR A PARTICULAR PURPOSE, AND NON-INFRINGEMENT OF THIRD-PARTY RIGHTS, EXCEPT AS HEREINAFTER PROVIDED.

Encon Safety Products warrants that for one year from the date of purchase of any Encon products, the product will be free of defects in materials and workmanship if properly used and cared for or cleaned under normal conditions in accordance with Encon's use and care instructions and properly installed, if applicable, in accordance with Encon's installation instructions. With respect to the product, Encon's only obligation and purchaser's exclusive remedy under this warranty is to repair or replace such product; provided that:

1. Encon is notified of the defect within one year of shipment, and
2. the product is determined by Encon to be defective.

Encon requires proof of original ownership as proof of warranty coverage, and Encon must receive any claim under this Limited Warranty within one year of purchase of the product.

NOTWITHSTANDING ANYTHING TO THE CONTRARY CONTAINED HEREIN, ENCON SHALL NOT BE LIABLE FOR LOSS, DAMAGE, OR EXPENSE ARISING DIRECTLY OR INDIRECTLY AS A CONSEQUENCE OF USE OF THE EQUIPMENT WITH OTHER PRODUCTS OR FROM ANY OTHER CAUSE, INCLUDING ANY CONSEQUENTIAL, INCIDENTAL, SPECIAL OR EXEMPLARY DAMAGES, EXCEPT FOR ENCON'S OBLIGATION TO REPAIR OR REPLACE DEFECTIVE PRODUCTS AS EXPRESSLY PROVIDED IN THIS STATEMENT.

Replacement parts purchased from Encon are warranted for one year following the shipment of such replacement part, or until the expiration of the warranty period for the product, whichever is less. No warranty is given in connection with products that are altered without Encon's expressed written consent. The same warranty limitations and the obligations of Encon as set out herein above shall apply to replacement parts.

Encon's total liability arising out of this warranty (including, but not limited to, warranty claims) regardless of forum and regardless of whether such action or claim is based on tort, contract or otherwise will not exceed the total purchase price of the product.



6825 W. Sam Houston Pkwy. N  
Houston, TX 77041  
1-800-AT-ENCON / 1-800-283-6266  
[customerservice@enconsafety.com](mailto:customerservice@enconsafety.com)  
<http://www.enconsafety.com>